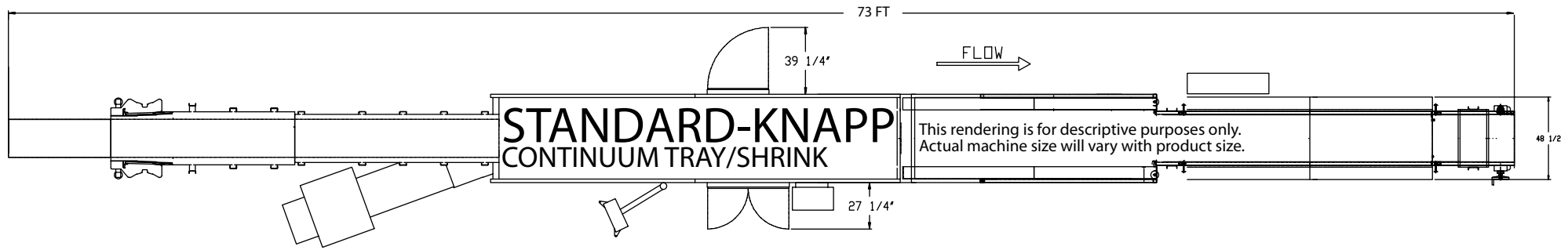


D-296TS



NOTICE
 This drawing and the subject matter thereof is the exclusive property of Standard-Knapp, Inc. and is to be treated by you as confidential proprietary information. This drawing is the subject matter thereof, shall not be duplicated or disclosed to others, without the express written consent of Standard-Knapp and shall be returned to Standard-Knapp upon receipt.

| REVISIONS | DESCRIPTION | ECN | BY | DATE |
|-----------|-------------|-----|----|------|
| | | | | |

| | | | | | |
|---|---------------------------|---|-------|------------------------------|--|
| MATERIAL & FINISHED SIZE | COMPONENT PART | + | TITLE | CONTINUUM TRAY/SHRINK | |
| TREATMENT | FINISHED PART | + | SCALE | DWG NO. | DATE |
| | MARK PART NO. AT LOCATION | ⊗ | | | |
| FINISH & TOLERANCES UNLESS OTHERWISE SPECIFIED: DECIMAL DIMENSIONS (+/-) .005 IN PLACE DETAILS (+/-) 1/64 FRACTIONAL DIMENSIONS (+/-) 1/64 IN PLACE DETAILS (+/-) 1/32 IN UNFINISHED SURFACES (+/-) 1/16 IN MACHINED FINISHES (.025 MICH INCH THREADS CLASS 2 FIT) SYMBOL INDICATES CRITICAL DIMENSIONS | | | | | DRAWN BY: STANGER APPROVED BY: DATE: 11/19/07 |